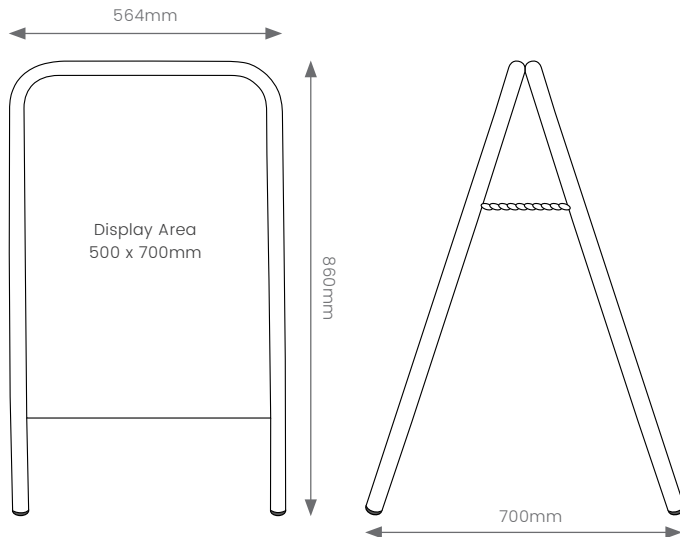


# A-BOARD

A completely smooth panel for undisrupted vinyl/print application.

- Double sided 500 x 700mm display area.
- Fixing free aluminium panel surface ideal for vinyl graphic application, screen or digital print.
- Folds flat for easy storage and portability.
- Steel tube rounded frame (32mm diameter), powder coated white as standard.
- Supplied pre-assembled with chrome oval chain, ready for use.



Chrome oval chain maintains optimum leg angle.



Rounded corners for style and safety.



In stock



No tools  
assembly



Fully  
Recyclable

Display Area (mm)	O/A Dimensions (w x h x d mm)	Weight (kg)	Colour	Order Code
500 x 700	564 x 860 x 700	9	White	AB100W2FP