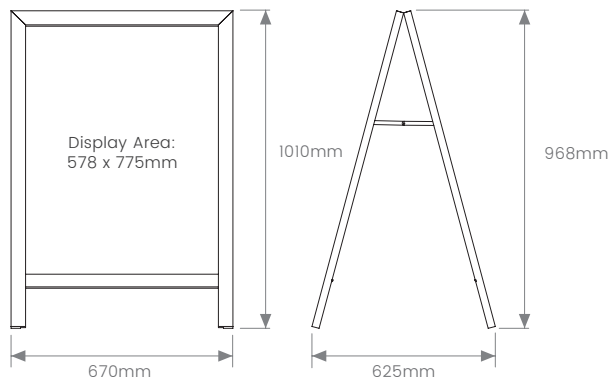


A simple, stable and stylish wooden A-Board.

- For a customer that wants a lower cost chalk A-Board solution.
- Double sided 578 x 775mm display area.
- Painted MDF panels suitable for traditional chalk and chalk pens.
- Direct to surface printed panels available to display unique branding (minimum order quantity 25).
- High quality brass screws, hinges and chains for added strength.
- Rubber stand-off feet for grip and stability.
- Traditional wood frame with antique finish and full lacquer for excellent outdoor performance.



**Direct to surface
printed panels available**

Minimum order quantity 25

Display Area (mm)	O/A Dimensions (w x h x d mm)	Weight (kg)	Order Code
578 x 775	670 x 968 x 625	10	CHLKSTR



Brass screws in top of frame provide added strength.



Traditional wood frame with antique finish and full lacquer for excellent outdoor performance.



High quality brass hinges and chains.



Rubber 'stand off' feet for grip and stability.



In stock



**No tools
assembly**